

# Lina 67 h

## Data sheet

### Details

- Fireplace insert, open on one side
- 6745 – Height 45 cm  
6751 – Height 51 cm  
6757 – Height 57 cm
- Optional: Self-closing door
- Adjustable lower air washing
- Standard fire box inner lining: white smooth chamotte
- High-grade cast-iron dome, all parts can be moved, adjustable between 0 – 90°
- Overall height can be simply and quickly adjusted
- Easy to dismantle for transport



Lina 67 with guillotine front

### Technical data

• Nominal heat output	9 kW
• Thermal output range	3.2 – 10.9 kW
• Efficiency	>78%
• Insulation thickness (with wall that does not need to be protected) (based on SILCA® 250KM)	60 mm
• Combustion air connector	Ø 125 mm
• Recommend length of logs	33 cm
• Weight	240 – 260 kg
• Heat distribution through the viewing window	30%
• Heat distribution, convective output	70%

**Data for chimney sweep** according to DIN EN 13384 (closed operation)

### Triple values with nominal heat output

• Flue gas mass flow	9.1 g/s
• Flue gas temperature	320 °C
• Required delivery pressure	12 Pa

### Triple values for calculating ceramic flues (wood fuel)

• Firing power	18.2 kW
• Flue gas mass flow	16.3 g/s
• Flue gas temperature upstream of the connecting surface	335 °C
• Required delivery pressure at the flue gas connector	15 Pa
• Combustion air requirement	66.3 m³/h
• Recommended flue length <sup>1</sup>	3.5 m

### Data for closed design

• Minimum heat-emitting surface <sup>2</sup>	4.2 m²
--	--------

<sup>1</sup>The information regarding flue lengths is a recommendation and based on the calculation in accordance with TROL 2022 chapter 15. The calculation is based on a medium-heavy design and a flue ratio of 360 cm².

<sup>2</sup>Average value based on the storage time. Dependent on the material properties and the construction thickness. Mean specific heat distribution = approx. 500 W/m²

There may be modifications to the colour and technical details caused by ongoing developments; subject to errors and omissions. Dated: 01/2024

### Standard



Kristall front



Guillotine door



125 mm  
Combustion air connector

### Optional



Kristall+  
(51 cm high only)



Double glazing



150 mm  
Combustion air connector



External fuel-door



Frame



Tunnel version

### Accessories



Heat exchanger



Top mounted heat exchanger



Hot air top-mounted element



Hot water top-mounted element R



SMR



Energy efficiency class in accordance with (EU) 2015/1186



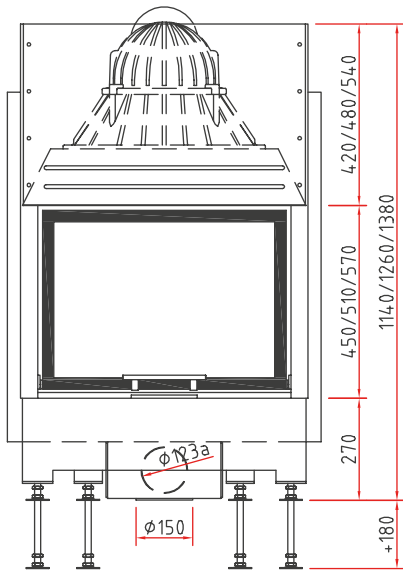
1. Federal Emissions Control Ordinance Stage 2



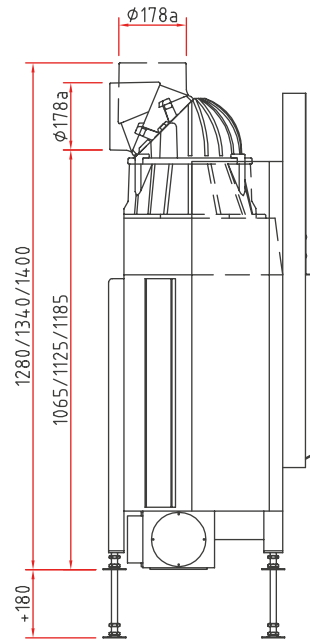
# Lina 67 h

## Dimensional drawing

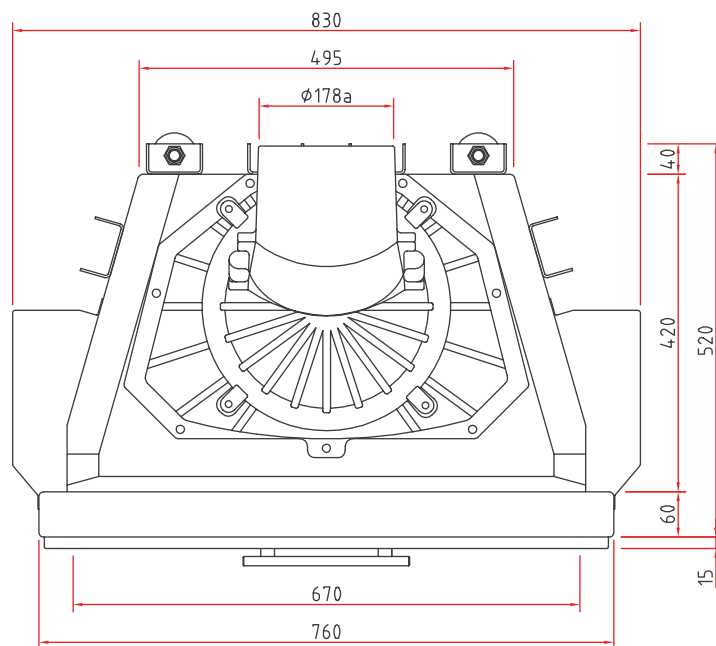
Front view, scale 1:20



Side view, scale 1:20



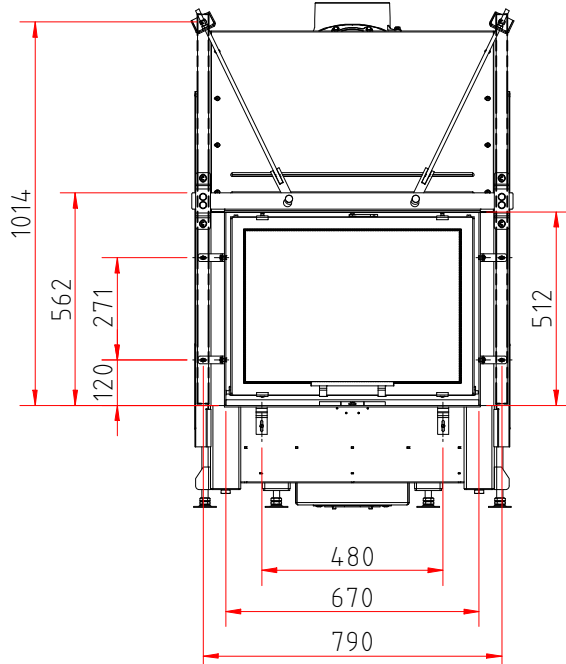
Top view, scale 1:10



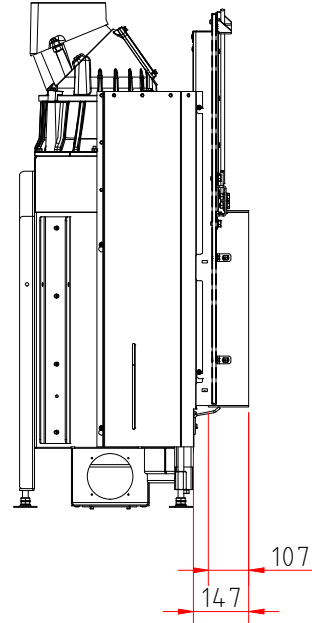
# Lina 6751 h

## Dimensional drawing with frame system

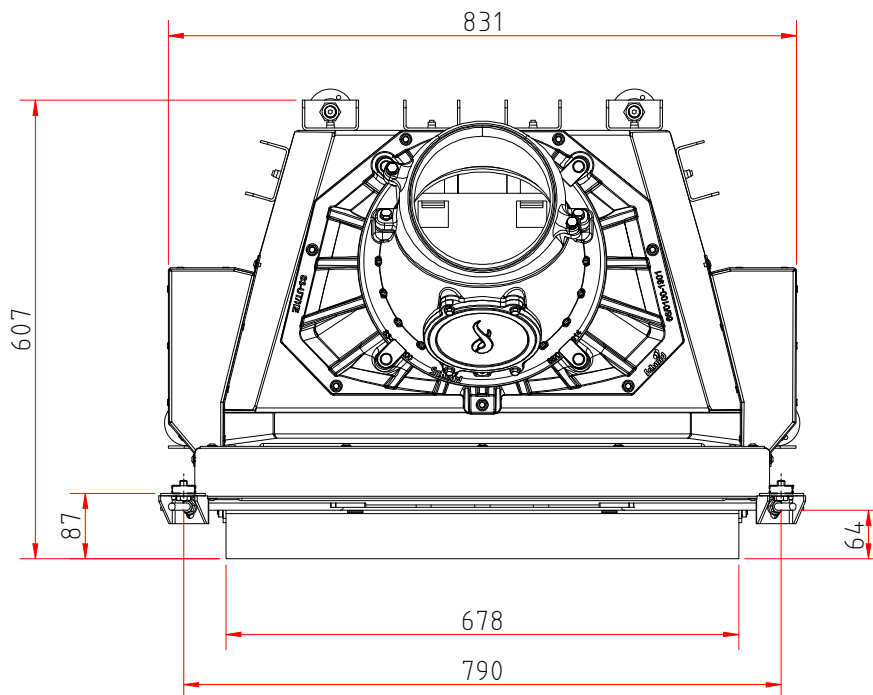
Front view, scale 1:20



Side view, scale 1:20



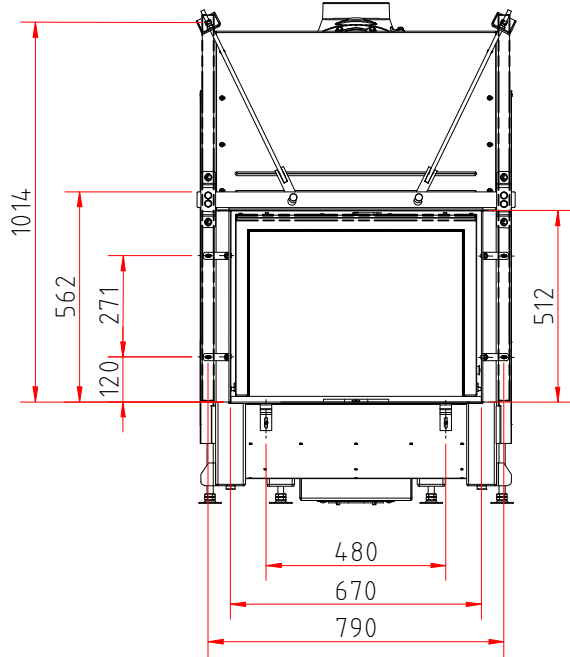
Top view, scale 1:10



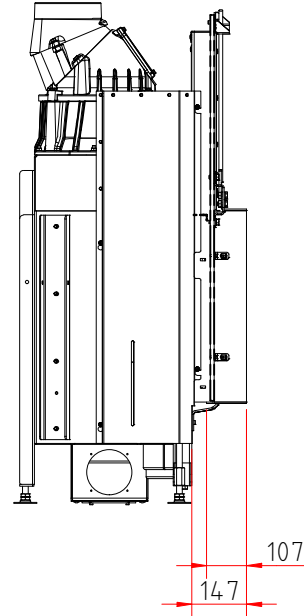
# Lina 6751 h Kristall+

## Dimensional drawing with frame system

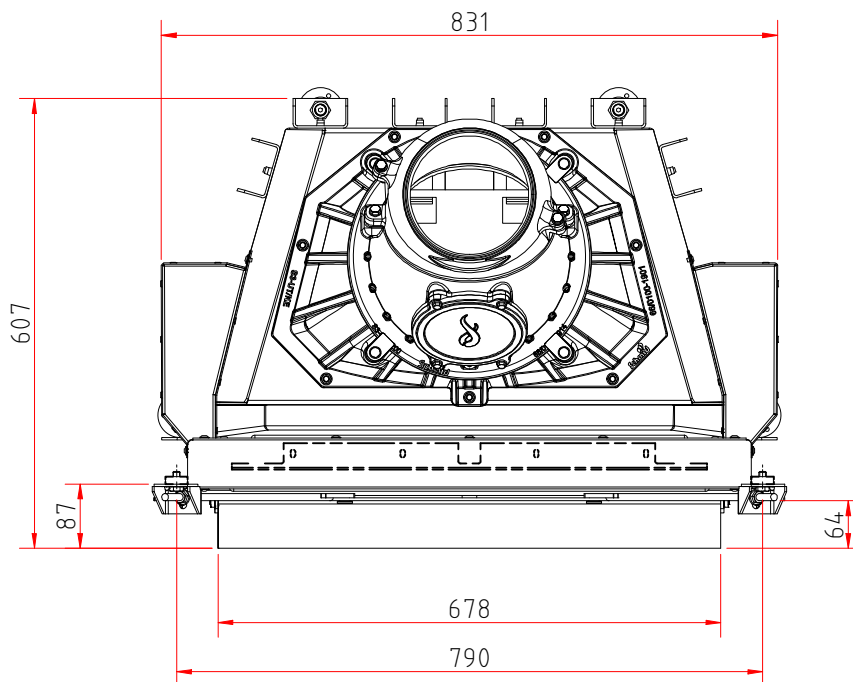
Front view, scale 1:20



Side view, scale 1:20



Top view, scale 1:10



## Product data sheet

Regulation (EU) 2015/1186 supplementing Directive 2010/30/EU

	<b>Lina 67 s/h, Lina TV 67 s/h</b>
<b>Supplier's name:</b>	Camina & Schmid Feuerdesign und Technik GmbH & Co. KG
<b>Supplier's model identifier:</b>	Lina 67 s/h, Lina TV 67 s/h
<b>Energy efficiency class:</b>	A
<b>Direct heat output (kW)</b>	9,0
<b>Indirect heat output (kW):</b>	–
<b>Energy efficiency index (EEI):</b>	103,4
<b>Energy efficiency at nominal heat output (%):</b>	78,2
<b>Notes for specific precautions, installation or maintenance:</b>	Please note the reference in the assembly instructions and operating manuals!

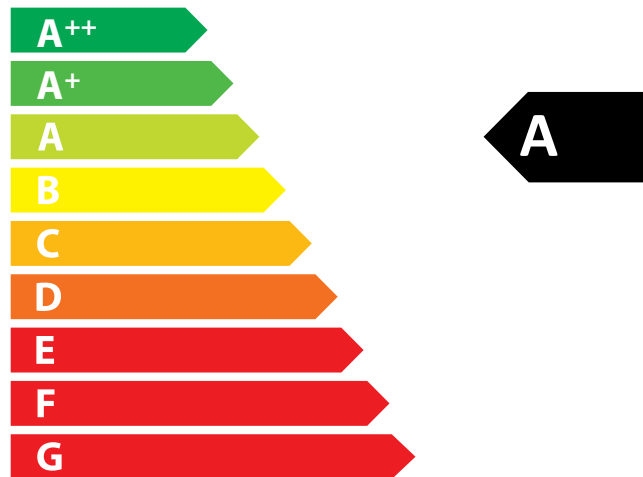
*There may be modifications to technical details caused by ongoing developments; subject to errors and omissions. Dated: 11/2021*



**ENERG**  
енергия · ενέργεια



Camina  Schmid Lina 67 s/h, Lina TV 67 s/h



9,0  
kW

ENERGIA · ЕНЕРГИЯ · ΕΝΕΡΓΕΙΑ · ENERGIJA · ENERGY · ENERGIE · ENERGI

2015/1186